

# CLED100 & CLED200 UP-STA

## Uplight LED Lighting Fixture

The CLED100 and CLED200 UP-STA is a recessed floor uplight with a 30 degree beam. Low glare is achieved through recessing the LEDs by 20mm. The baffle is powder coated with a low gloss finish. CLED products have exceptional warmth of light and consistency of +/- 38 Kelvin – one MacAdam ellipse. CLED products have guaranteed compatibility and dimming performance with recommended Crestron lighting control systems.

### CLED100 & CLED200

The Crestron CLED100 & CLED200 are part of the proven Crestron lighting range. This range of LED fixtures replicate the performance, colour temperature and CRI of a traditional halogen fixture.

### Guaranteed Smooth Dimming

The CLED100 & CLED200 dim smoothly from 100-0%. This dimming curve mimics the performance of a halogen down light, even warming when dimmed at low levels. This is made possible by using the Crestron recommended mains dimmable driver in conjunction with Crestron DIM1-DIMU4, CLXI-1DELV4 or CLWI-DIMWEX (wireless solution for retrofit). The CLED range will be supplied with a mains dimmable driver, DALI and 0-10v drivers are also available upon request.

### Guaranteed Colour Consistency

The more precise the binning, the more precise of the colour temperature will be. Crestron has exceptionally precise binning to 1/16th of a bin (within 1 MacAdam Ellipse); this binning has a variation that is so small no human eye can see the difference between any Crestron LED down light.

### CRI (Colour Rendering Index)

Crestron LED luminaires have a CRI of 86. This is exceptionally high. It means that Crestron luminaires make lit objects appear to have colours similar to the way they appear in natural daylight.

### Thermal Management

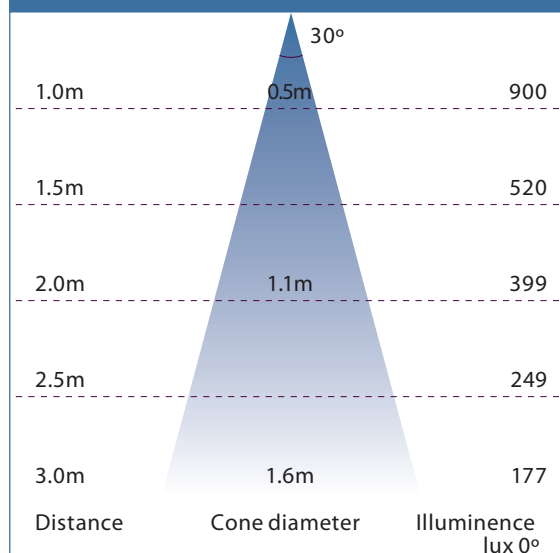
Thermal management is important in CLED100/200. If the LEDs are above recommended temperatures they will produce less light and also deteriorate over time. In order for LEDs to last for at least 70,000 hours L70 it is important that the luminaire's thermal management keeps the LED to appropriate temperatures. The specially designed heat sink controls the operating temperature of the product helping to maintain reliability, lifespan and performance.

### Lifespan and Warranty

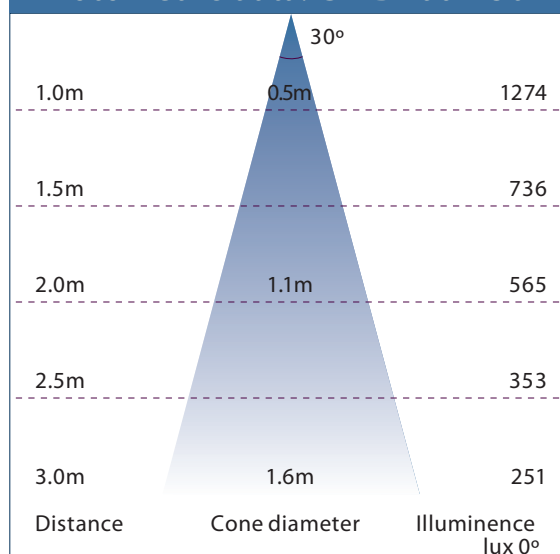
70,000 hours lifespan  
5 years warranty on luminaire, 2 years warranty on PSU



### Photometric data: CLED100 – 30°



### Photometric data: CLED200 – 30°



# CLED100 & CLED200 UP-STA

## Uplight LED Lighting Fixture

### SPECIFICATIONS

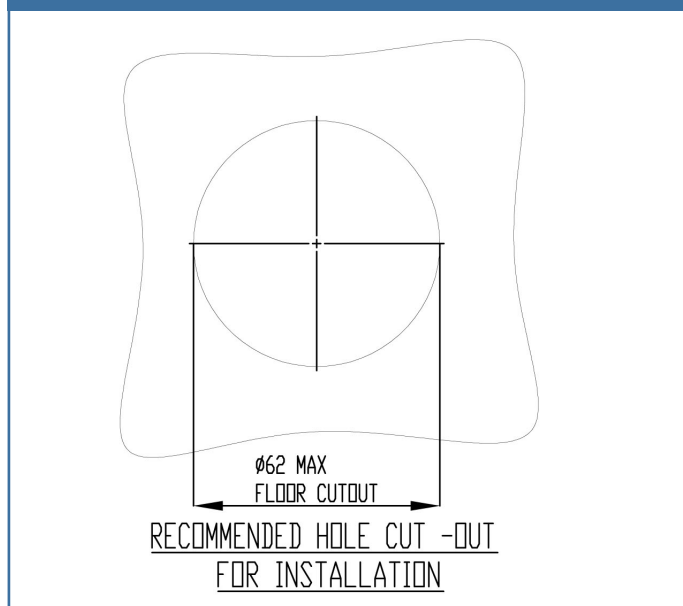
#### CLED100

**Light Source:** Cree  
**Colour Consistency:** 1 step MacAdam Ellipse  
**Colour Rendering [CRI]:** 86  
**Colour Temperature [K]:** 2700/2938  
**Initial Lumens [lm]:** 711  
**Initial Efficacy [lm/W]:** 62  
**Luminaire Lumens [lm]:** 637  
**Luminaire Efficacy [lm/W]:** 56  
**Beam Angle:** 30°  
**Lifetime:** 70,000 hours (L70)  
**Power Consumption [W]:** 11.4  
**Candela:** 2975  
**Low glare reflector [UGI]:** 17.0  
**Tilt:** no  
**Hole cut-out:** 62 mm  
**Standard Void Required:** 109 mm  
**Unit height:** 99 mm  
**Bezel diameter :** 75 mm  
**Ingress protection [IP]:** 44  
**Fire-rated:** no  
**Interchangeable lenses & reflectors:** yes  
**Mains dimmable PSU:** incl. in price

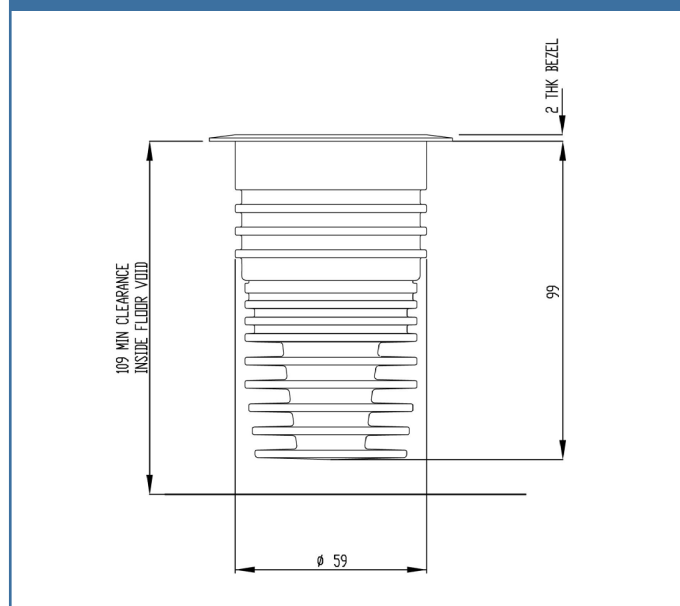
#### CLED200

**Light Source:** Cree  
**Colour Consistency:** 1 step MacAdam Ellipse  
**Colour Rendering [CRI]:** 86  
**Colour Temperature [K]:** 2700/2938  
**Initial Lumens [lm]:** 1002  
**Initial Efficacy [lm/W]:** 72  
**Luminaire Lumens [lm]:** 902  
**Luminaire Efficacy [lm/W]:** 64  
**Beam Angle:** 30°  
**Lifetime:** 70,000 hours (L70)  
**Power Consumption [W]:** 11.4  
**Candela:** 4220  
**Low glare reflector [UGI]:** 17.0  
**Tilt:** no  
**Hole cut-out:** 62 mm  
**Standard Void Required:** 109 mm  
**Unit height:** 99 mm  
**Bezel diameter :** 75 mm  
**Ingress protection [IP]:** 44  
**Fire-rated:** no  
**Interchangeable lenses & reflectors:** yes  
**Mains dimmable PSU:** incl. in price

Cut-out dimensions



Dimensions



# CLED100 & CLED200 UP-STA

## Uplight LED Lighting Fixture

### ORDER CODES

CLED100-UP-STA-2.7k-DIM-STD  
CLED100-UP-STA-2.7k-DIM-STD  
CLED100-UP-STA-2.9k-DIM-STD  
CLED100-UP-STA-2.9k-DIM-STD  
CLED200-UP-STA-2.7k-DIM-STD  
CLED200-UP-STA-2.7k-DIM-STD  
CLED200-UP-STA-2.9k-DIM-STD  
CLED200-UP-STA-2.9k-DIM-STD

### CLED100-UP-STA-2.7k-DIM-STD-WH/BL

#### Engine

711 lumens	CLED100
1002 lumens	CLED200

#### Model

General Purpose	GP
Recessed	RE
Mini Recessed	MR
Uplight	UP
Surface Mount	SF
Twin	TW

#### Movement

Static	STA
Tilt	TLT
Swivel	SWI

#### Colour temperature

2700 K	2.7K
2938 K	2.9K

#### Control method

Main dim	DIM
0-10V dim*	DIMFLV
DALI*	DALI

#### Rating variation

Standard	STD
Fire	F
Shower IP65	IP65
Fire Shower IP65	FIP65

#### Optional variation

Bezel	
White (standard)	WH
Baffle Black (standard)	BL

More finishes available

\* future product

NOTES: This product may be purchased from an authorised Crestron dealer. To find a dealer, please contact the Crestron sales representative for your area. Specifications subject to change without notice. Crestron is not responsible for errors in typography or photography. 3-Series, Cresnet, Crestron, and the Crestron logo are either trademarks or registered trademarks of Crestron Electronics, Inc. in the United States and/or other countries. 3M and Dual Lock are either trademarks or registered trademarks of 3M Company in the United States and/or other countries. Other trademarks and trade names may be used in this document to refer to either the entities claiming the marks and names or their products. Crestron disclaims any proprietary interest in the marks and names of others. ©2012 Crestron Electronics, Inc.